

Figure 1

1. INTRODUCTION

Extraction Tool 2063080-1 is used to remove individual contacts from MULTI-BEAM XL connectors (reference part number 292499-1).

2. DESCRIPTION

The extraction tool is a handle with a two-pronged tip. See Figure 1. When inserted in the contact cavity of the connector, the tip will spread the locking latches of the contact apart. This will enable the contact to be pulled out from the wire end of the connector.

3. USING THE TOOL

1. At the mating face of the connector, align the tip of the tool with the contact cavity of the contact to be removed. See Figure 2.
2. Push the tip into the contact cavity until it bottoms on the connector.
3. Holding the tool in place, gently pull the wire of the contact until it is out of the connector.

NOTE



Contacts can be re-used if they are not deformed or damaged.

Using the Tool

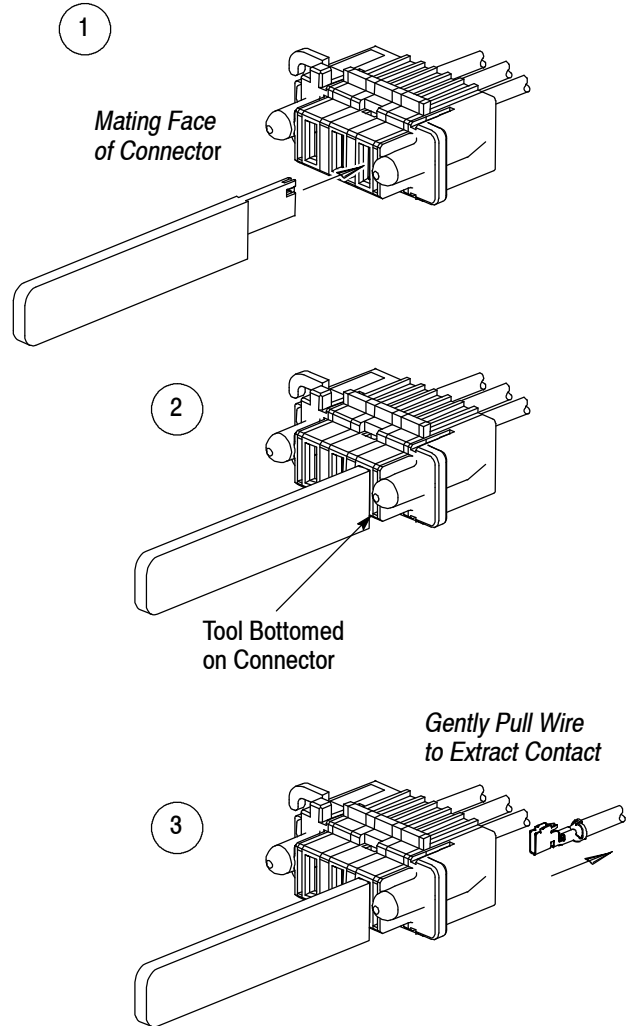


Figure 2

4. REPLACEMENT AND REPAIR

The extraction tool is not repairable. Order replacements through your representative, or call 1-800-526-5142, or send a facsimile of your purchase order to 717-986-7605, or write to:

CUSTOMER SERVICE (038-035)
TYCO ELECTRONICS CORPORATION
PO BOX 3608
HARRISBURG PA 17105-3608